

DATE: 2010/3/12 (YY/MM/DD)

Customer : \_\_\_\_\_

# APPROVAL SHEET

## RoHS Compliant

PRODUCT: AC ADAPTOR

MODEL: SW3563

PART NO. UKR006-57

V : 100312

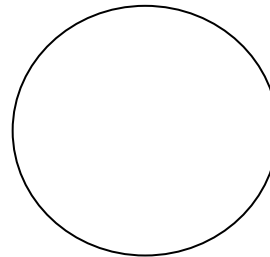
# PowerPax UK

Receiver's stamp or signature

PLEASE APPROVE & RETURN BEFORE \_\_\_\_\_  
OR WE WOULD REGARD IT BEEN CONFIRMED.

### ISSUES STAMP

RESPONSIBLE	APPROVED	ISSUED
DAVID	MELINDA	TULIP



Revised History	Revised Date	Description	Approved	Issued
NO.	2007.09.08	CHANGE PACKING		
1	2008.04.16	CHANGE LABEL	MELINDA	TULIP
2		CHANGE AC CORD LENGTH	MELINDA	TULIP
3	2008.05.10	CHANGE CEC DESCRIPTION	MELINDA	TULIP
4	2010.03.01	CHANGE LABEL 1	MELINDA	TULIP
5	2010.03.12	CHANGE LABEL 1	MELINDA	TULIP



1.INPUT SPECIFICATION

2.OUTPUT SPECIFICATION

3.MECHANICAL

4.RELIABILITY

5.ENVIRONMENT

6.OUTLOOKING

7.SAFETY

8.QC CHECK

9.DIMENSION

10.PACKING

11.LABEL

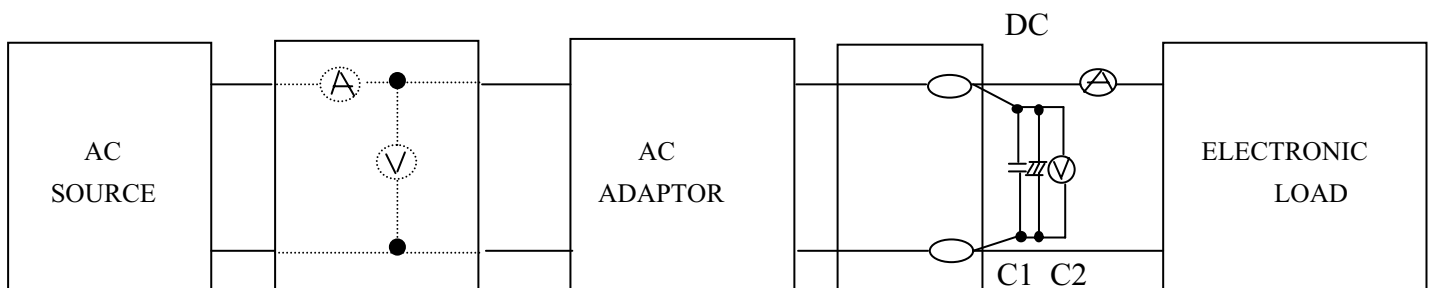
## 1.INPUT SPECIFICATION

ITEM	SPECIFICATION	MIN	TYPICAL	MAX
AC INPUT VOLTAGE	SINGLE PHASE		100-240Vac	
AC INPUT VOLTAGE RANGE	SINGLE PHASE	90Vac		264Vac
AC INPUT FREQUENCY	SINGLE PHASE	47Hz	50/60Hz	63Hz
AC INPUT CURRENT	TYPICAL INPUT VOLTAGE& OUTPUT AT FULL LOAD.		280mA	340mA
AC INRUSH CURRENT	TYPICAL INPUT VOLTAGE& OUTPUT AT FULL LOAD , 25°C.		20A	30A
EFFICIENCY	TYPICAL INPUT VOLTAGE& OUTPUT AT FULL LOAD		75%	
LEAKAGE CURRENT	TYPICAL INPUT VOLTAGE& OUTPUT AT FULL LOAD.			0.25mA

## 2.OUTPUT SPECIFICATION

ITEM	SPECIFICATION	MIN	TYPICAL	MAX
NOMINAL DC OUTPUT VOLTAGE			12Vdc	
DC OUTPUT VOLTAGE RANGE	TYPICAL OUTPUT VOLTAGE $\pm 5\%$	11.4V		12.6V
LOAD CURRENT		0.0A		1A
RIPPLE	TYPICAL INPUT VOLTAGE , FULL LOAD CURRENT , 25°C			120mV
NOISE	TYPICAL INPUT VOLTAGE , FULL LOAD CURRENT , 25°C			240mV
HOLD-UP TIME	AT TYPICAL INPUT VOLTAGE AND FULL LOAD	10mS		
TURN-ON DELAY	TYPICAL INPUT VOLTAGE AND FULL LOAD CURRENT			2S
OVER CURRENT PROTECTION	AUTO RECOVERY			
SHORT CIRCUIT PROTECTION	THE ADAPTOR SHALL NOT DAMAGE BY SHORT TO THE DC OUTPUT GROUND			
OVER VOLTAGE PROTECTION				19.5V
STAND BY CONSUMPTION	THE ADAPTOR SHALL ACCORD WITH THE REQUEST OF CEC			0.3W

## \*TEST MEASURES



C1: 0.1 $\mu$ F CERAMICS CAPACITOR  
 C2: 10 $\mu$  50V ALUMINUM CAPACITOR

## 3.MECHANICAL

ITEM	SPECIFICATION OR TEST CONDITION	ACCEPTANCE CRITERIA
BENDING TEST	NORMAL TEMPERATURE THE PLUG SHALL WITHSTAND WEIGHT OF 2.94 N,IT SWINGS FROM LEFT TO RIGHT AT AN ANGLE OF 120 DEG. 500 TIMES MIN.. S/R SHALL WITHSTAND WEIGHT OF 2.94N. IT SWING FROM LEFT TO RIGHT AT AN ANGLE OF 120DEG. 500 TIMES MIN.. BENDING SPEED 40CYCLE/MIN.	NO SHORT CIRCUIT NO BREAKAGE OF THE CORD
VIBRATION	DURATION: 30 MINUTES AMPLITUDE: 0.35mm FREQUENCY RANGE: 10 Hz...55 Hz...10 Hz SWEEP RANGE: APPROXIMATELY 1 OCTAVE / MIN	THERE SHALL BE NO ABNORMALITY ON THE APPEARANCE STRUCTURE AND OPERATING


## 4.RELIABILITY

ITEM	TEST CONDITION	ACCEPTANCE CRITERIA
TEMPERATURE UP WITH FULL LOAD	TEST AT SURFACE OF THE CASE WITH TYPICAL AC INPUT AND FULL LOAD IN OUTPUT 50/60Hz	TEMPERATURE RISEN MEET SAFETY APPROVALED AT THE SURFACE OF CASE
HI-POT TEST	BETWEEN INPUT & OUTPUT 3000Vac 60 SECONDS 10mA IT IS BASE ON EN60950 5.2.2 TEST PROCEDURE. FOR MASS PRODUCTION, IT IS TESTED BY 3.3KV /1 SECOND.	NO DAMAGE
INSULATION RESISTANCE	INPUT TO OUTPUT ,DC 500V	>100M $\Omega$
MTBF	TYPICAL INPUT & FULL LOAD AT 25 $^{\circ}$ C	100000 HOURS (min)
BURN-IN TEST	AT 30 $^{\circ}$ C ( $\pm$ 10 $^{\circ}$ C),TYPICAL INPUT VOLTAGE	2~4 HOURS

## 5.ENVIRONMENT

ITEM	SPECIFICATION OR TEST CONDITION	MIN	TYPICAL	MAX
OPERATING TEMPERATURE		0 $^{\circ}$ C		40 $^{\circ}$ C
STORAGE TEMPERATURE		-20 $^{\circ}$ C		85 $^{\circ}$ C
OPERATING HUMIDITY	NON-CONDENSING	5%RH		95%RH
STORAGE HUMIDITY	NON-CONDENSING	5%RH		95%RH

## 6.OUTLOOKING

DIMENSION	:92.2(L)×49.8(W)×26.3(H)mm typ
WEIGHT	:ABOUT 135g
AC INPUT TYPE	:BSI AC CABEL
DC OUTPUT TYPE	:12*5.5*2.1
	: 
DC OUTPUT CABLE	:USE UL 2468 22AWG WIRE
INDICATION	:LABEL
CASE MATERIAL	:94V-0 ABS+PC
PCB MATERIAL	:94V-0

## 7.SAFETY

COMPLY SAFETY STANDARDS	STANDARD
CUL	UL60950-1
TUV/GS	EN60950-1
DOIR	AS/NZS4417
C-TICK	AS/NZS4417

Manufacturer: PowerPax ( SHEN ZHEN) CO., LTD.

Factory Address: Industrial Area of Long Men, Da Tian Yang, Song Gang Town, Baoan, Shen Zhen, China.

EMI
VCCI class B , FCC class B , CISPR 22 class B

## 8.QC CHECK

ALL OF THE QUANTITY SHALL BE CHECKED BEFORE SHIPMENT,CHECK ITEM AS BELOW:

- (1)DC PLUG POLE CHECK
- (2)DC OUTPUT VOLTAGE CHECK
- (3)HI-POT&INSULATION CHECK
- (4)OUTLOOKING CHECK

## STANDARD OF RoHS

NO.	chemical substances group
1	Cadmium
2	Chromium(VI)
3	Lead
4	Mercury
5	Polybrominated biphenyls (PBBs)
6	Polybrominated diphenyl ethers(PBDEs)

FOR ENVIRONMENTAL IMPACT SUBSTANCES CONTAINED IN PARTS. COMPLY WITH "RoHS"

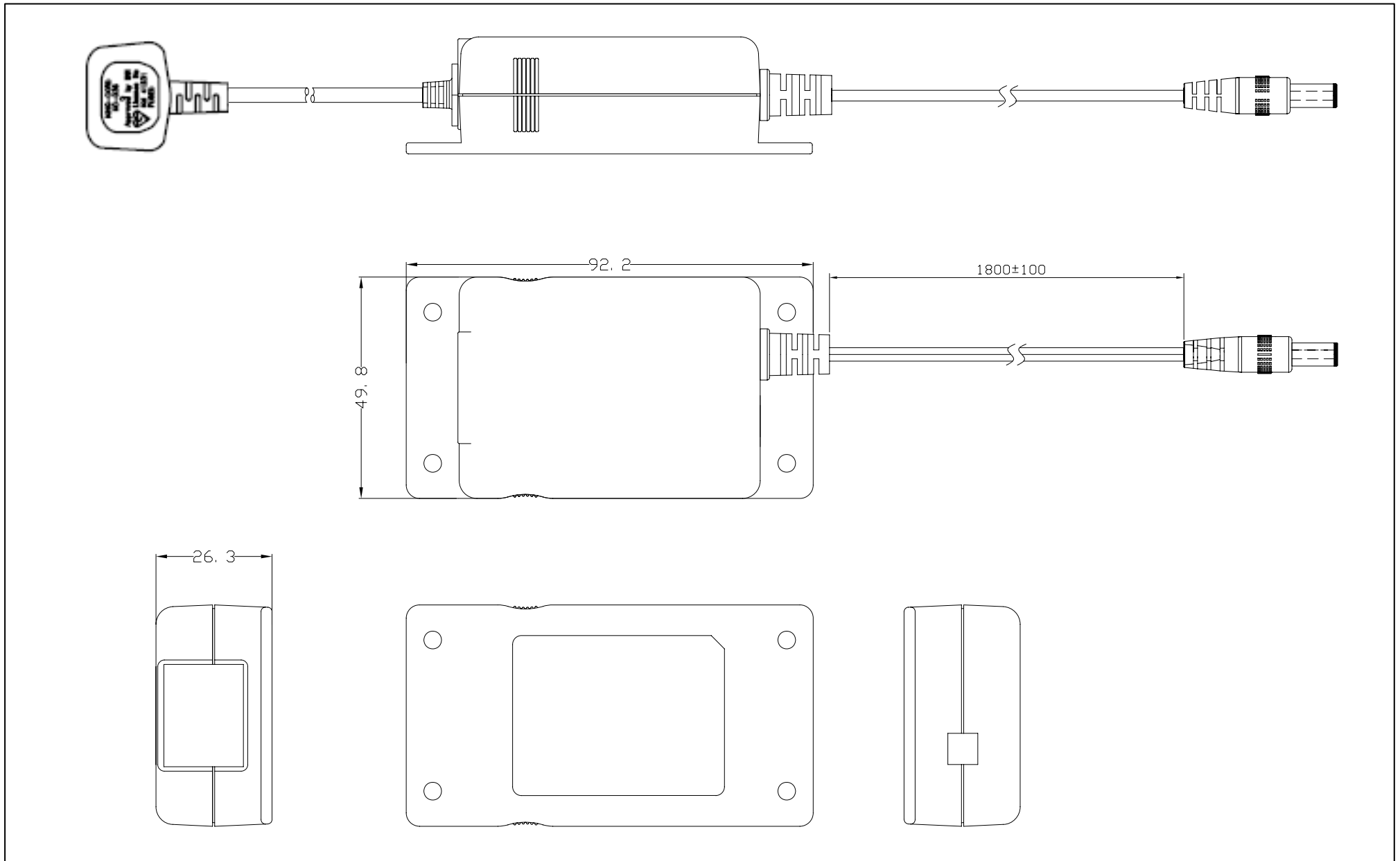
THE EUT HAS BEEN TESTED ACCORDING TO THE FOLLOWING SPECIFICATIONS:

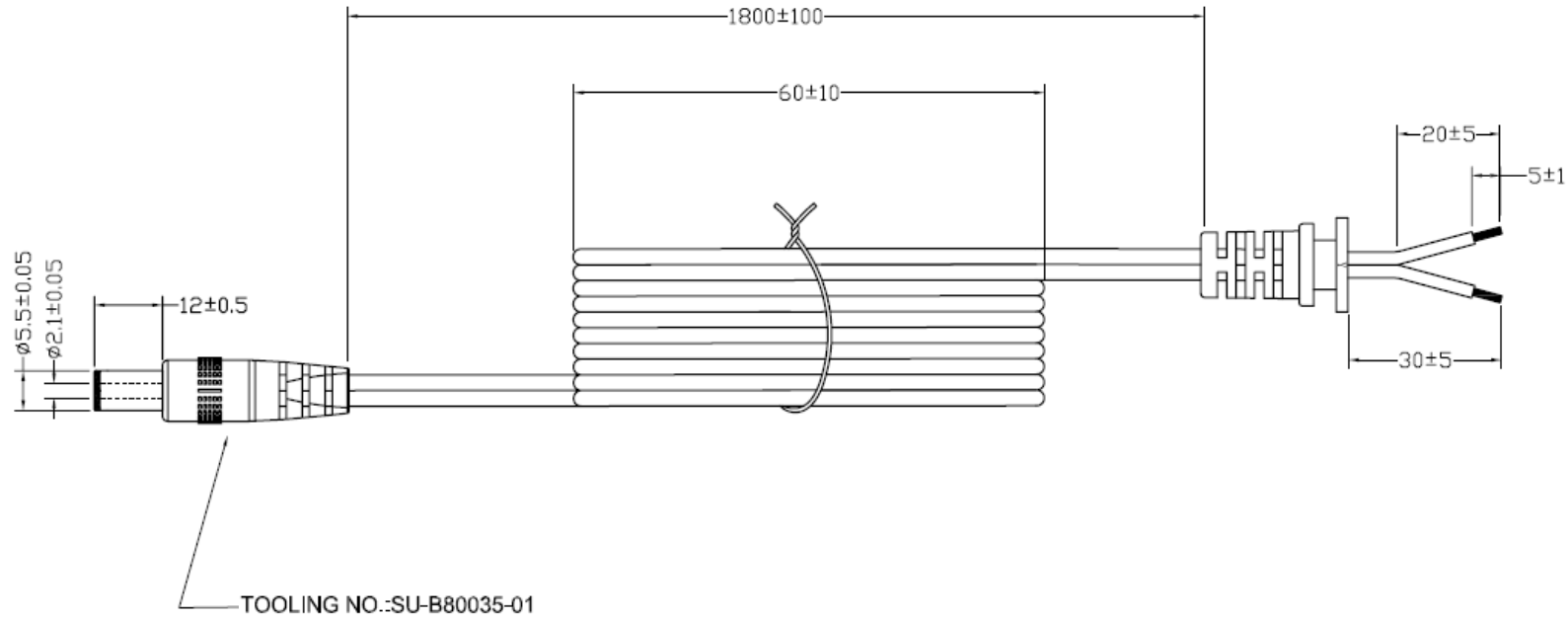
<b>EMISSION</b>			
<b>STANDARD</b>	<b>TEST TYPE</b>	<b>RESULT</b>	<b>REMARKS</b>
EN 55022 : 1998+A1:2000+A2:2003	CONDUCTED TEST	MEET	MEETS CLASS B LIMIT
	RADIATED TEST	MEET	MEETS CLASS B LIMIT
EN61000-3-2: 2000,CLASS D	HARMONIC CURRENT EMISSIONS	MEET	MEETS CLASS D LIMIT
EN61000-3-3: 1995+A1:2001	VOLTAGE FLUCTUATIONS & FLICKER	MEET	MEET THE REQUIREMENTS.

<b>IMMUNITY(EN 55024:1998+A1:2001+A2:2003)</b>			
<b>STANDARD</b>	<b>TEST TYPE</b>	<b>RESULT</b>	<b>REMARKS</b>
EN 61000-4-2: 1995+A1:1998+A2:2001	ELECTROSTATIC DISCHARGE IMMUNITY TEST	MEET	MEETS THE REQUIREMENTS OF PERFORMANCE CRITERION A
EN 61000-4-3:2002	RADIATED,RADIO- FREQUENCY, ELECTROMAGNETIC FIELD IMMUNITY TEST	MEET	MEETS THE REQUIREMENTS OF PERFORMANCE CRITERION A
EN 61000-4-4:2004	ELECTRICAL FAST TRANSIENT / BURST IMMUNITY TEST.	MEET	MEETS THE REQUIREMENTS OF PERFORMANCE CRITERION A
EN 61000-4-5: 1995+A1:2000	SURGE IMMUNITY TEST	MEET	MEETS THE REQUIREMENTS OF PERFORMANCE CRITERION A
EN 61000-4-6:2001	IMMUNITY TO CONDUCTED DISTURBANCES, INDUCED BY RADIO- FREQUENCY FIELDS	MEET	MEETS THE REQUIREMENTS OF PERFORMANCE CRITERION A
EN 61000-4-11:2001	VOLTAGE DIPS,SHORT INTERRUPTIONS AND VOLTAGE VARIATIONS IMMUNITY TESTS	MEET	MEETS THE REQUIREMENTS OF VOLTAGE DIPS: 1.>95% 0.5 CYCLE REDUCTION- PERFORMANCE CRITERION A 2. 30% 25 CYCLE REDUCTION- PERFORMANCE CRITERION A VOLTAGE INTERRUPTIONS: 1.>95% 250 CYCLE REDUCTION- PERFORMANCE CRITERION B

9.DIMENSION

CASE TOLERANCE: ±0.5mm

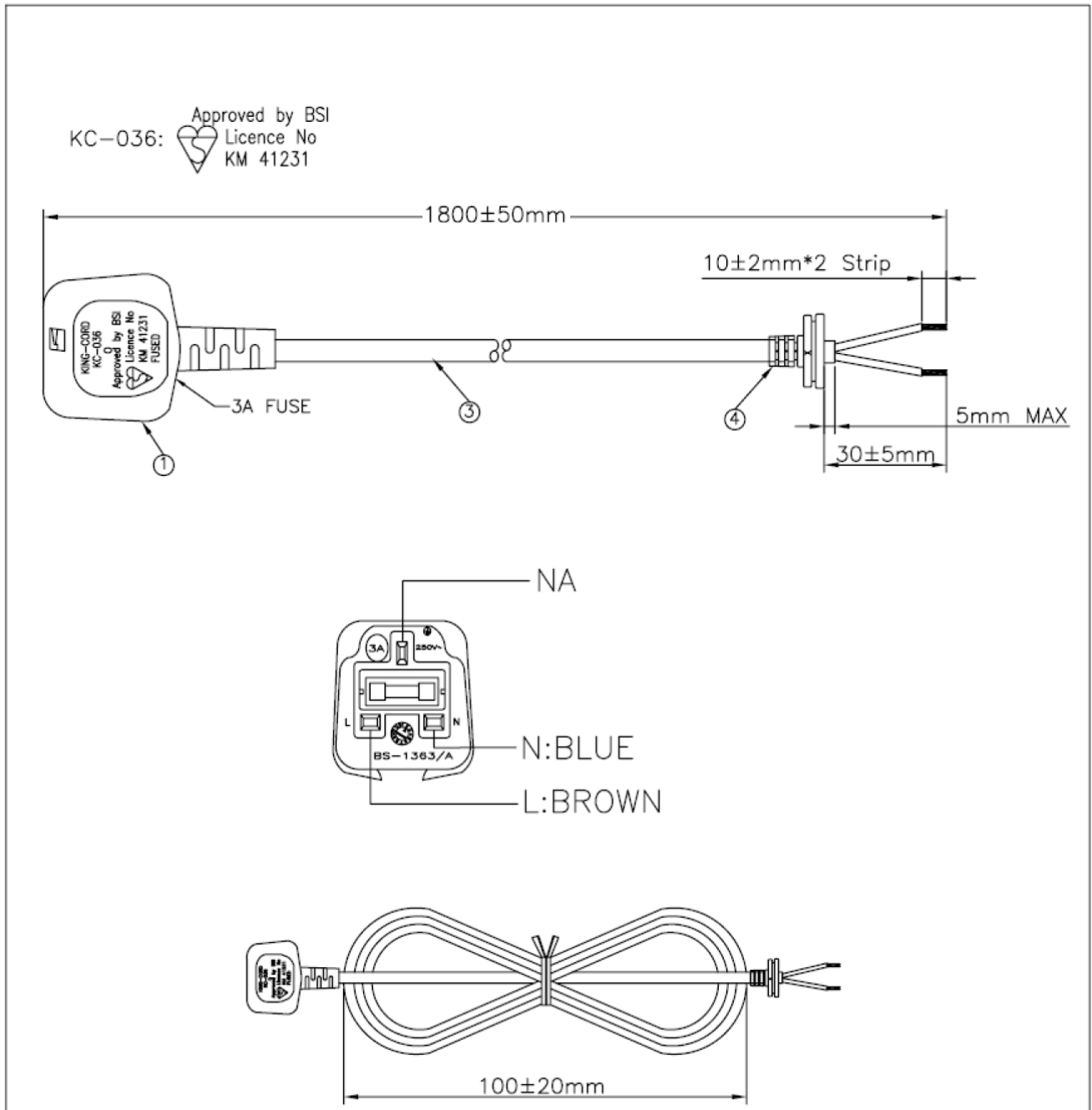




Unit 7 Albury Close, Reading, Berkshire, RG30 1BD T: +44 (0) 118 959 0111 F: +44 (0) 118 959 0155 W: www.powerpax.co.uk

<b>PowerPax UK</b>		FILE NAME	DC CORD
		UNIT	mm
DRAW		EDITION	1
CHECKED		SHEET	1/1

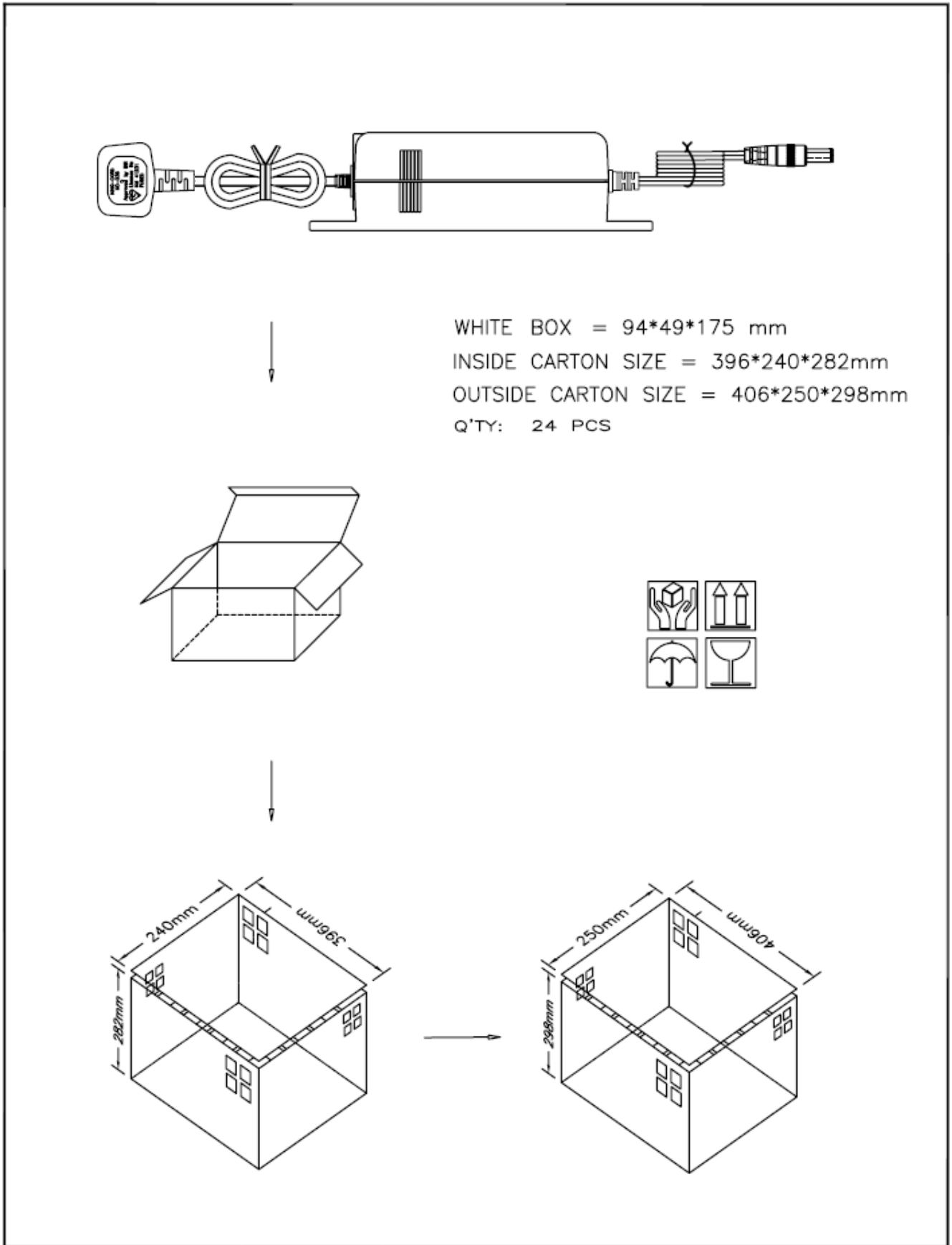
AC CORD:



NOTE:

				REVISION		
				REV	DESCRIPTION	DATE
				A	NEW	AUG.01.2007
				REVISION		
4	SR-025	1PC		CUSTOMER NAME: <b>PowerPax UK</b>		
3	Cable:H03WH2-F 2G*0.75mm <sup>2</sup>	1PC	BLACK	CUSTOMER NO.:		
2	Connector:NA	0PC		KING-CORD NO.:		
1	Plug:KC-036,3A 250V~	1PC		KING-CORD CO.,LTD.		
NO:	DESCRIPTION	Q'TY	REMARK			

10.PACKING



11.LABEL 1: (SILVER WORD ON BLACK BASE)

**PowerPax UK**  
 www.powerpax.co.uk  
 SW3563

Model No: UIA312-1210  
 I / P: AC 100-240V 50/60Hz 0.4A  
 O / P: DC 12V 1A

**CE**


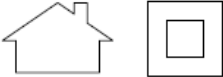
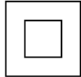
**cULus** LISTED I.T.E. POWER SUPPLY  
 56EK  
 E201955  
 LEVEL3

**FC**

**TÜV Rheinland** Product Safety **GS** geprüfte Sicherheit

**N136**

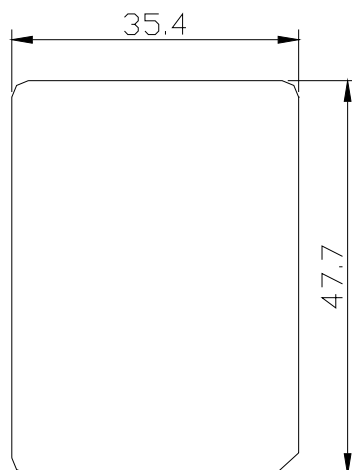
**RoHS** 2002/95/EC

**L.P.S.**  
 UKR006-57  
 EFFICIENCY LEVEL: **V**

S/No. XXX-XXXXXXX  
 MADE IN CHINA

LABEL SIZE:

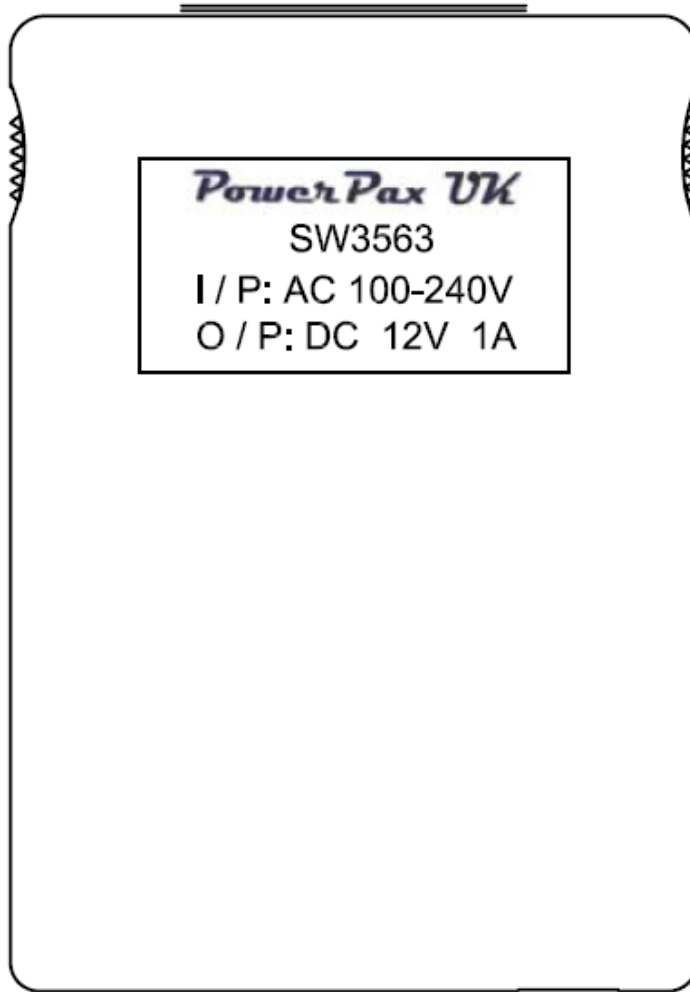


公差: +0 / -0.2 mm

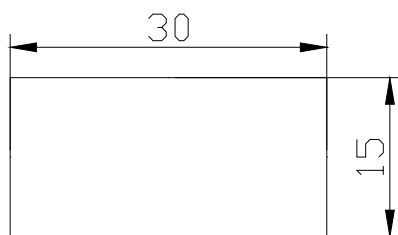


(BLACK WORD ON SILVER BASE)

LABEL 2: (SILVER WORD ON BLACK BASE)



LABEL SIZE:



公差: +0 / -0.2 mm