

# 12W to 15W UK Power Supplies **PowerPax**



## Features:

- Universal / Full range AC input
- Fixed UK pins
- Fully enclosed attractive plastic case
- Small & Compact design
- Cost effective and high reliability
- Protections: Short circuit & Over Current
- Safety approved & Energy Efficient
- Level VI CoC Tier 1 (updating to CoC Tier 2)
- MTBF >50,000 hours
- Also available as Euro, USA and Australian versions

## Safety & Emissions:

CB, CE, LPS

EMI Conduction & Radiation: Compliance to EN55022 Class B

Harmonic current: Compliance to EN61000-3-2, 3

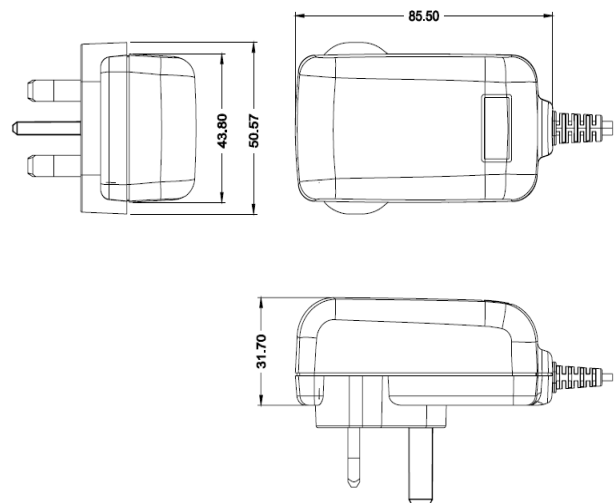
EMS Immunity: Compliance to EN61000-4-2, 3, 4, 5, 6, 8, 11

Topology: Switching Flyback

Efficiency: level VI CoC Tier 1



<b>Input current</b>	0.4A max
<b>Load Regulation</b>	+/-5 % Typical
<b>Case Size</b>	85.5 x 43.8 x 31.7mm
<b>DC Cord</b>	1.8 Metres
<b>DC Plug</b>	2.1 x 5.5 x 12mm
<b>Polarity</b>	+ve centre
<b>Rated Input Voltage</b>	100-240Vac (90-264vac max)
<b>Weight</b>	130g
<b>Hi-Pot Spec</b>	3000Vac 10mA 1 min. (I.P. to O.P.)
<b>No load power consumption</b>	0.3W max
<b>Operating Temperature</b>	0 to 40 degrees C
<b>Storage Temperature</b>	-20 to 80 degrees C
<b>Operating Humidity</b>	10% to 90%
<b>Rated Frequency</b>	50-60Hz (47/63Hz max)
<b>Efficiency</b>	Level VI CoC Tier 2 (updating to CoC Tier 2)



Parts shown in Red in the table below are supplied in a different case style and size. Dimensions are 72 x 38 x 28.5mm for these units

Other DC output connectors and negative centre polarity can be provided on request

Part number	Output	Power	Input connector	Output connector
SW4010G	12vdc 1 Amp	12 Watts	UK Fixed	2.1 x 5.5 x 12mm straight Polarity +ve centre
SW4382-C	12vdc 1 Amp	12 Watts	UK Fixed	2.5 x 5.5 x 12mm straight Polarity +ve centre
SW3088-VI	5vdc 2.5 Amp	12.5 Watts	UK Fixed	2.1 x 5.5 x 12mm straight Polarity +ve centre
SW3089-VI	9vdc 1.6 Amp	14.4 Watts	UK Fixed	2.1 x 5.5 x 12mm straight Polarity +ve centre
SW3090-VI	12vdc 1.25 Amp	15 Watts	UK Fixed	2.1 x 5.5 x 12mm straight Polarity +ve centre
SW3091-VI	15vdc 1 Amp	15 Watts	UK Fixed	2.1 x 5.5 x 12mm straight Polarity +ve centre
SW3092-VI	24vdc 0.65 Amp	15.6 Watts	UK Fixed	2.1 x 5.5 x 12mm straight Polarity +ve centre

Full specification documents on each part included in this data sheet are available on request from PowerPax UK Ltd. PowerPax accepts no responsibility for typographical errors in the production of this datasheet. Product specifications are subject to change without notice. The product image shown is representative of entire range.

