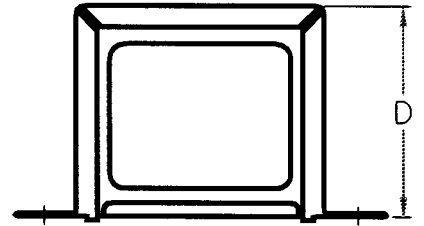
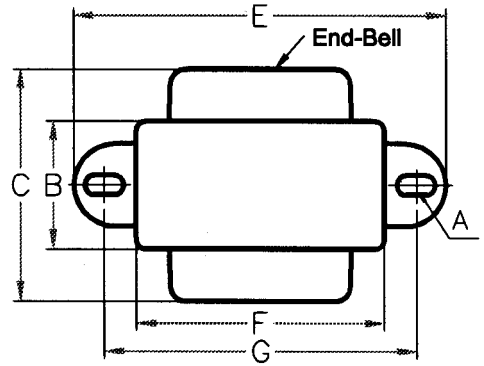


## With Horizontal Bracket and End-Bell

CORE	A	B	C	D	E	F	G	Power
EI-35/10	3.2X4	13	35	32	53	37.5	46	3VA
EI-35/13.5	3.2X6.5	17	39	32	57	37.5	45	4VA
EI-35/15	3.2X6.5	18	40	32	57	37.5	45	5VA
EI-41/16.5	3.5X7	20	42	36	64	43	53	6VA
EI-41/20	3.5X7	23	45	36	65	43	53	7VA
EI-41/26.5	3.8X7	29	51	36	65	43	53	8VA
EI-48/18.5	3.5X7	21	43	43	71	50	60	9VA
EI-48/23.5	4X8	26	47	43	75	50	63	11VA
EI-48/27	4X8	30	51	43	74	50	63	12VA
EI-57/24	4.2X8	28	56	51	84	59.5	71	20VA
EI-57/30	5X8	33	62	51	86	60	73	30VA
EI-66/27	5X8	31	61	59	94	69	82	35VA
EI-66/32	5X8	36	66	59	96	69	82	40VA



## With Horizontal Bracket No End-Bell

CORE	A	B	C	D	E	F	G	Power
EI-28/12	3.5X7	14	29	27	55	30	44	2.5VA
EI-35/11	3.5X7	13	29	32	57	37	46	3VA
EI-35/13.5	3.5X7	15.5	32	32	57	37	45	4VA
EI-35/15	3.5X7	17	34	32	55	37	45	5VA
EI-41/16.5	3.5X7	19.5	35	35	65	43	54	6VA
EI-41/20	3.5X7	22	40	35	66	43	54	7VA
EI-41/26.5	3.8X7	29	45	35	65	43	53	8VA
EI-48/18.5	3.5X7	21	40	43	71	50	60	9VA
EI-48/24	4X8	26	44	43	74	50	62	11VA
EI-48/27	4X8	29	48	43	74	50	62	12VA
EI-54/18.5	3.8X5	20	42	47	71	56	64	16VA
EI-57/24	4X8	28	50	51	84	59	70	20VA
EI-57/30	5X8	32.5	54	51	85	59	73	30VA
EI-66/28	5X6.5	31	54	59	93	69	82	35VA
EI-66/32	5X8	35	58	60	95	69	82	40VA
EI-66/36	5X8	40	62	59	97	69	84	50VA
EI-76/26	5X7	29	60	68	101	79	90.5	50VA
EI-76/42	4X6	46	76	68	98.5	80	87	100VA
EI-76/57	4X6	62	88	68	98.5	80	87	120VA
EI-86/42.5	4.5X7.3	48	85	75	122	90	106	120VA
EI-86/42.5	No Bracket	42.5	75	72	/	86	/	120VA
EI-96/50		50	/	80	/	96	/	150VA

